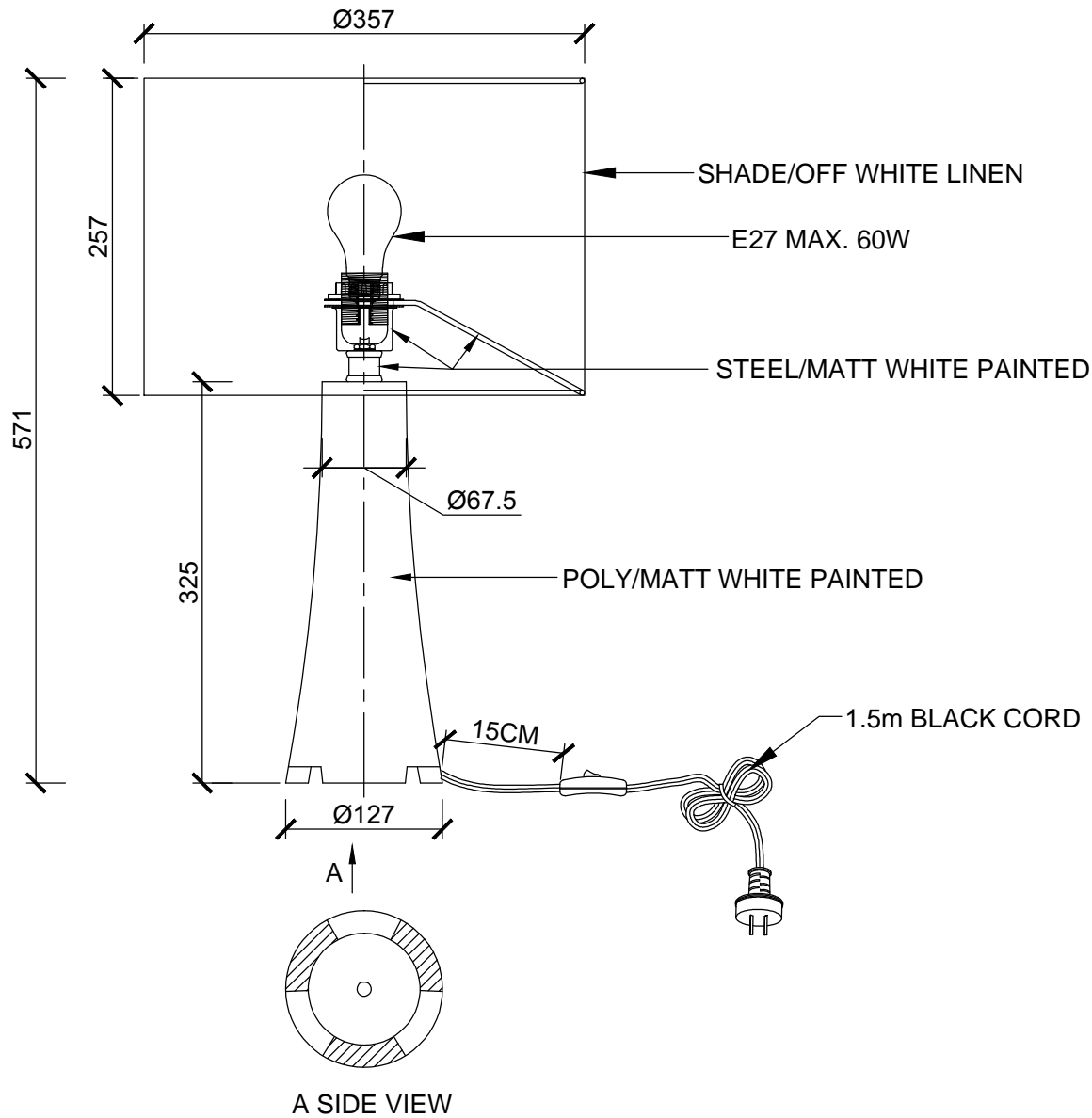


LENGTH	WIDTH	HEIGHT
357	357	571

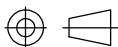


UNLESS OTHERWISE SPECIFIED:
 DIMENSION STANDARD - MILLIMETERS
 SURFACE FINISH - RAW
 LINEAR TOLERANCE - $\pm 0.5\text{mm}$
 ANGULAR TOLERANCE - $\pm 1^\circ$

DRAWING INFORMATION IS CONFIDENTIAL.
 DO NOT REPRODUCE DRAWING INFORMATION
 UNLESS PERMITTED BY PRODUCT OWNER.
 REPORT ANY ERRORS IMMEDIATELY.

DO NOT SCALE

APPROVAL



REV DESC

??/??/?? AP

DRAWING NAME
 One Lamp

DATE CREATED
 08/05/2019

REVISION
 ORIG

INFO@MCMHOUSE.COM

