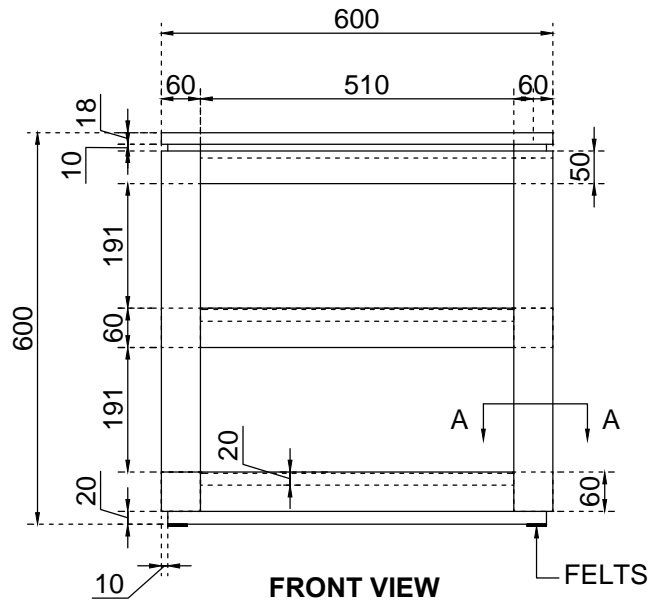


TOP VIEW

CREAM TRAVERTINE STONE
540X340X1.0MM IRON PLATE
UNDERNEATH THE STONE(1PC)

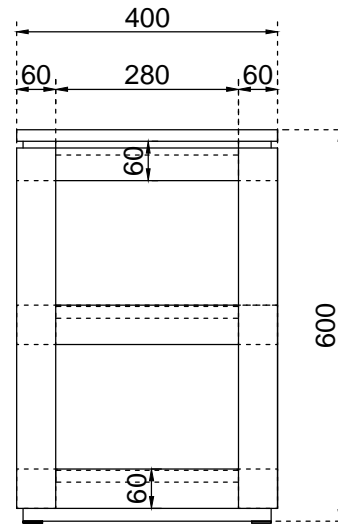


OLD ELM TIMBER

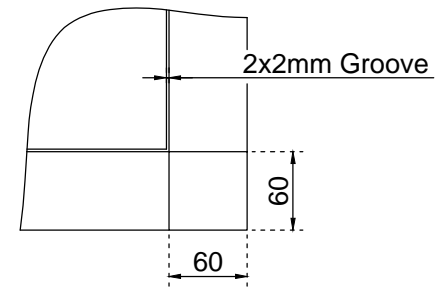


FRONT VIEW

FELTS



SIDE VIEW



A-A SECTION

COPYRIGHT
Drawing information is confidential. Do not reproduce drawing information unless permitted by product owner. Report any errors immediately.

PLEASE NOTE
Use dimensions shown only. Check and verify all dimensions prior to commencing work. Do not scale drawings.

CLIENT NAME
MCM House
DATE CREATED
23/07/2021
INITIALS
RW

MATERIALS
Cream Travertine Stone & Old Elm Timber

DIMENSIONS
Length: 600mm
Width: 400mm
Height: 600mm

PRODUCT NAME
Axol Side Table 600X400
DRAWING NUMBER
0001

MCM HOUSE