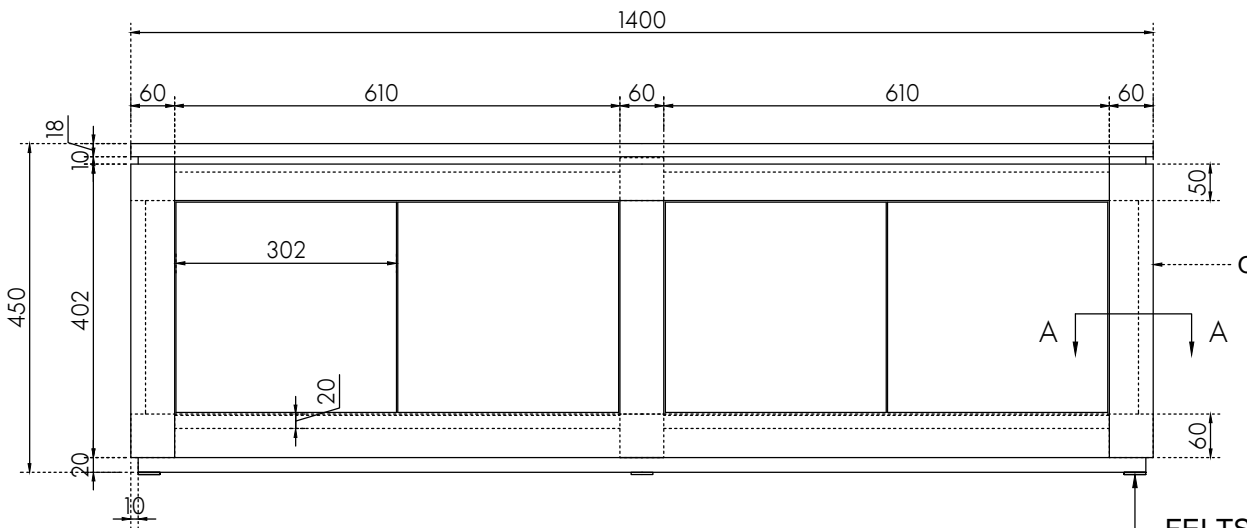


TOP VIEW

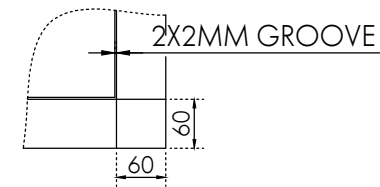
CREAM TRAVERTINE STONE
1340X440X1.0MM IRON PLATE
UNDERNEATH (IPC)



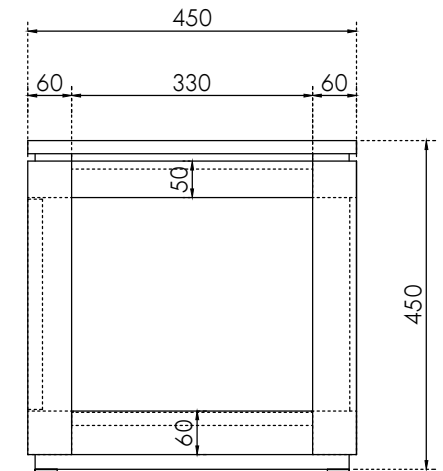
FRONT VIEW

OLD ELM TIMBER

FELTS



A-A SECTION



SIDE VIEW

COPYRIGHT

Drawing information is confidential. Do not reproduce drawing information unless permitted by product owner. Report any errors immediately.

PLEASE NOTE

Use dimensions shown only. Check and verify all dimensions prior to commencing work. Do not scale drawings.

CLIENT NAME

MCM House

DATE CREATED

21/02/2022

INITIALS

RW

MATERIALS

Old Elm Timber & Cream Travertine Stone

DIMENSIONS

Length: 1400mm
Width: 450mm
Height: 450mm

PRODUCT NAME

Axol 4 Doors Lowline Buffet 1400W

DRAWING NUMBER

0001

MCM HOUSE