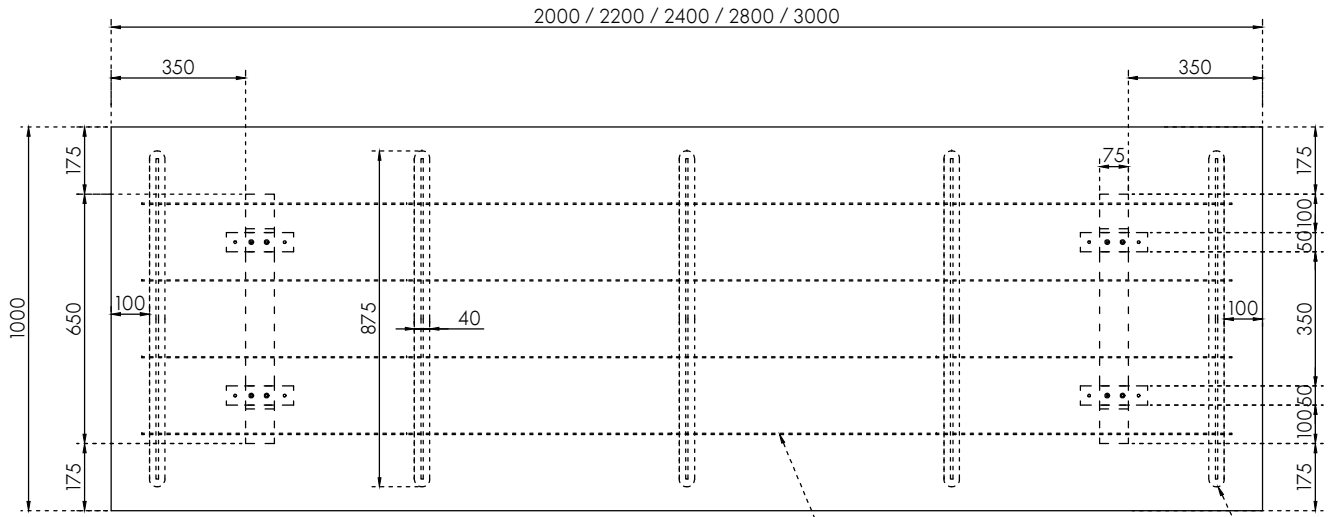
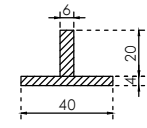


WIDTH	DEPTH	HEIGHT
2000	1000	730
2200	1000	730
2400	1000	730
2800	1000	730
3000	1000	730

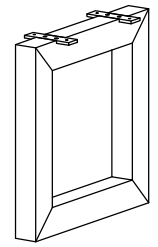


TOP VIEW

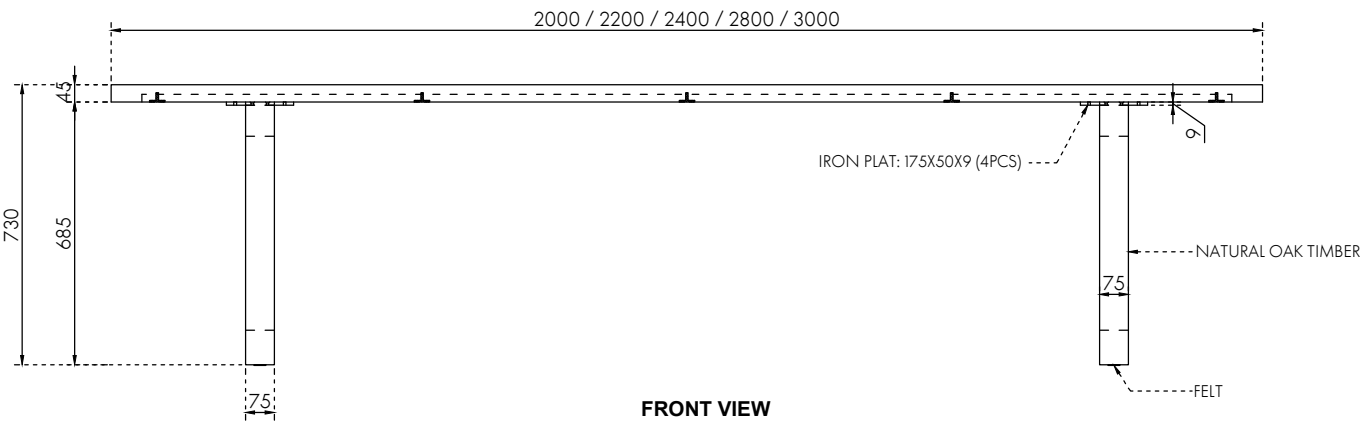
-3X20MM TECHNOLOGY GROOVE UNDERNEATH(4PCS)



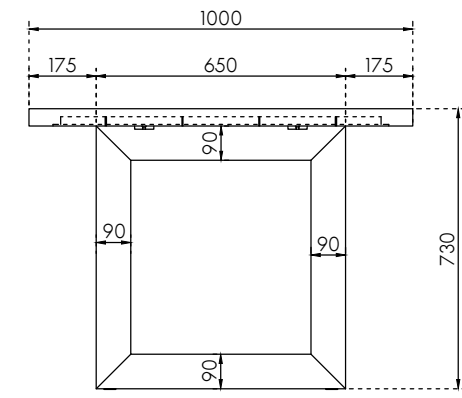
T METAL BAR UNDERNEATH



BASE



FRONT VIEW



SIDE VIEW

COPYRIGHT
Drawing information is confidential. Do not reproduce drawing information unless permitted by product owner. Report any errors immediately.

PLEASE NOTE
Use dimensions shown only. Check and verify all dimensions prior to commencing work. Do not scale drawings.

CLIENT NAME
MCM House

DATE CREATED
31/10/2022

INITIALS
RW

MATERIALS
Natural Oak Timber

DIMENSIONS
Length:
Width:
Height:

PRODUCT NAME
Global II Dining Table

DRAWING NUMBER
0001

MCM HOUSE