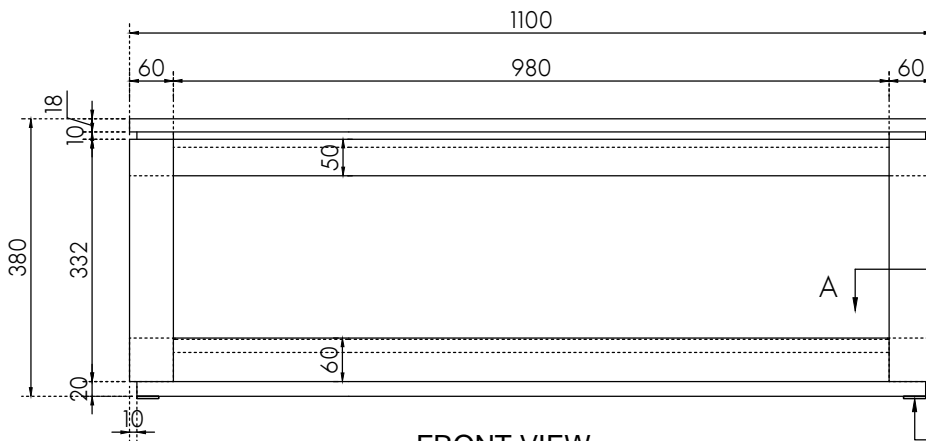


TOP VIEW

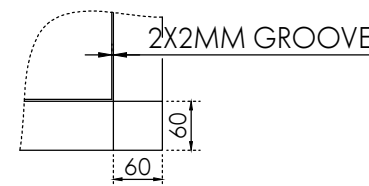
CREAM TRAVERTINE STONE  
1140X540X1.0MM IRON PLATE  
UNDERNEATH (IPC)



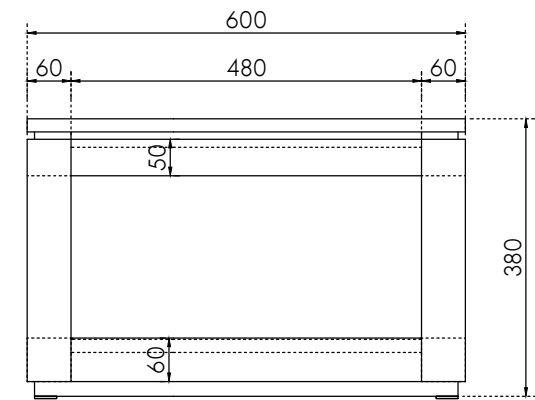
FRONT VIEW

OLD ELM TIMBER

FELTS



A-A SECTION



SIDE VIEW

**COPYRIGHT**

Drawing information is confidential. Do not reproduce drawing information unless permitted by product owner. Report any errors immediately.

**PLEASE NOTE**

Use dimensions shown only. Check and verify all dimensions prior to commencing work. Do not scale drawings.

**CLIENT NAME**

MCM House

**DATE CREATED**

21/02/2022

**INITIALS**

RW

**MATERIALS**

Old Elm Timber & Cream Travertine Stone

**DIMENSIONS**

Length: 1100mm  
Width: 600mm  
Height: 380mm

**PRODUCT NAME**

Axol Rectangle Coffee Table 1100X600

**DRAWING NUMBER**

0001

**MCM HOUSE**