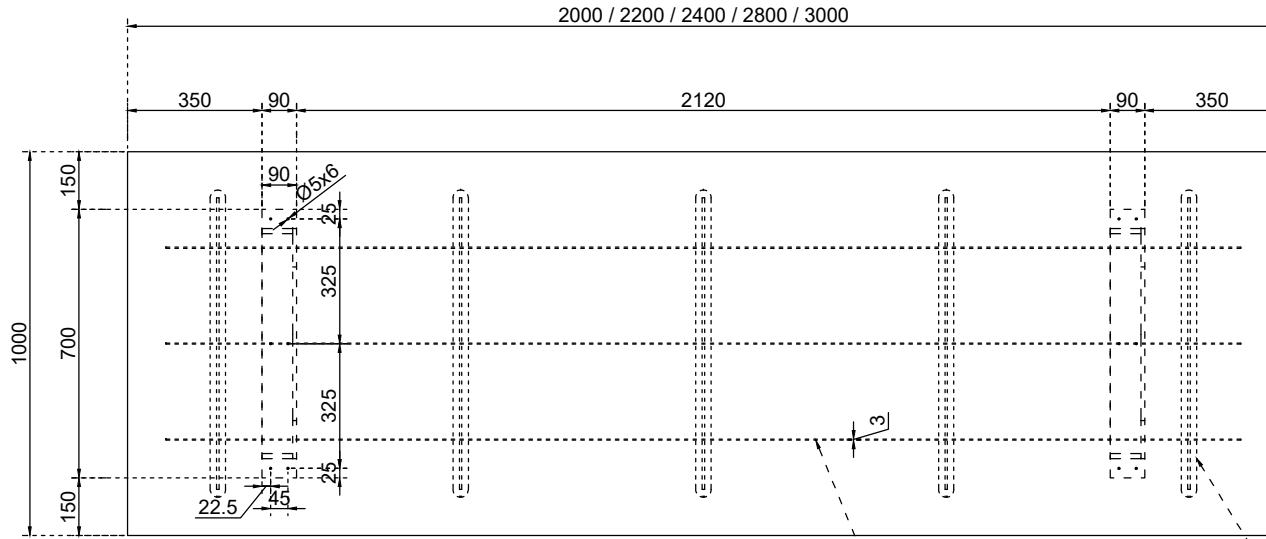
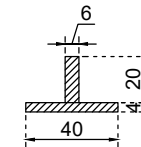


WIDTH	DEPTH	HEIGHT
2000	1000	730
2200	1000	730
2400	1000	730
2800	1000	730
3000	1000	730

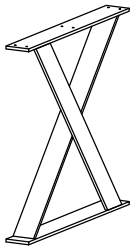


TOP VIEW

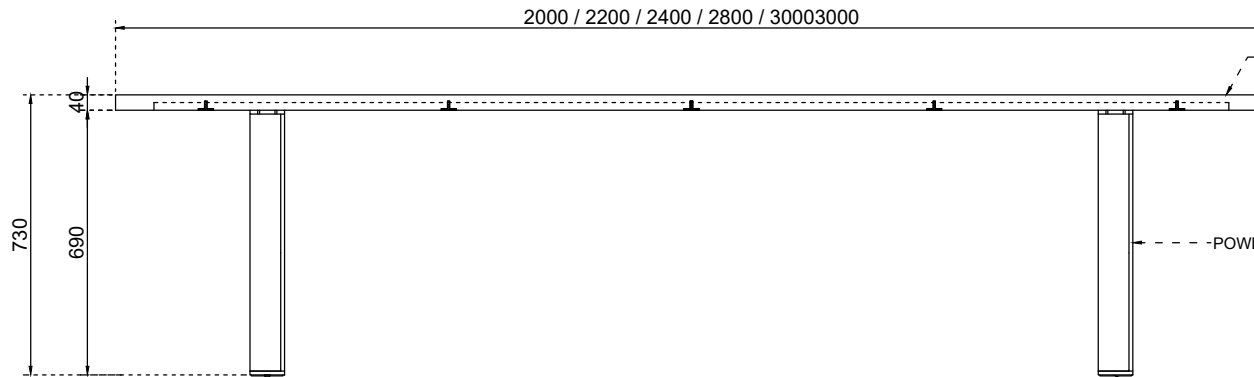
- 3X20MM TECHNOLOGY GROOVE UNDERNEATH



- T METAL BAR UNDERNEATH



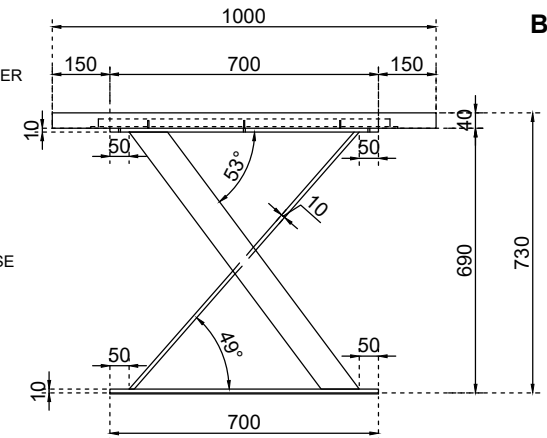
BASE



FRONT VIEW

- POWDER COATED METAL BASE

- FELT



SIDE VIEW

COPYRIGHT

Drawing information is confidential. Do not reproduce drawing information unless permitted by product owner. Report any errors immediately.

PLEASE NOTE

Use dimensions shown only. Check and verify all dimensions prior to commencing work. Do not scale drawings.

CLIENT NAME

MCM House

DATE CREATED

23/06/2023

INITIALS

RW

MATERIALS

Natural Oak Timber & Old Elm Timber

DIMENSIONS

Length:
Width:
Height:

PRODUCT NAME

Hudson Rectangular Dining Table

DRAWING NUMBER

0001

MCM HOUSE