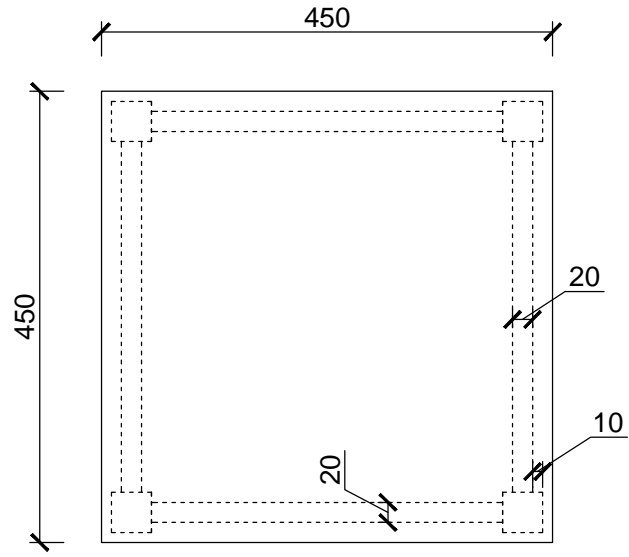
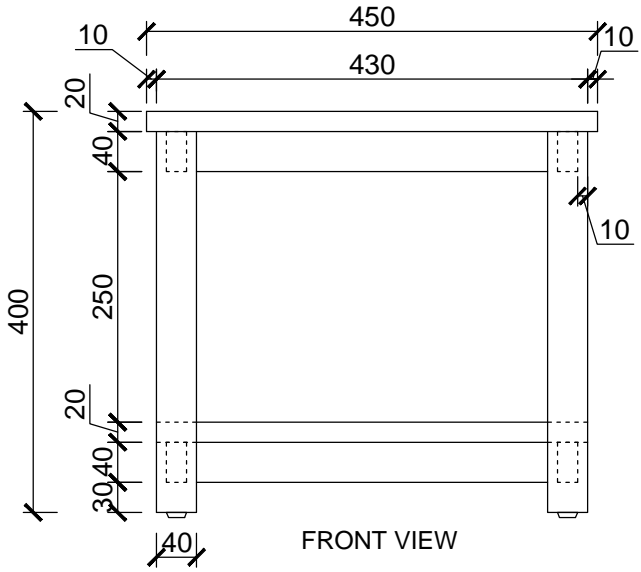


LENGTH	WIDTH	HEIGHT
450	450	400

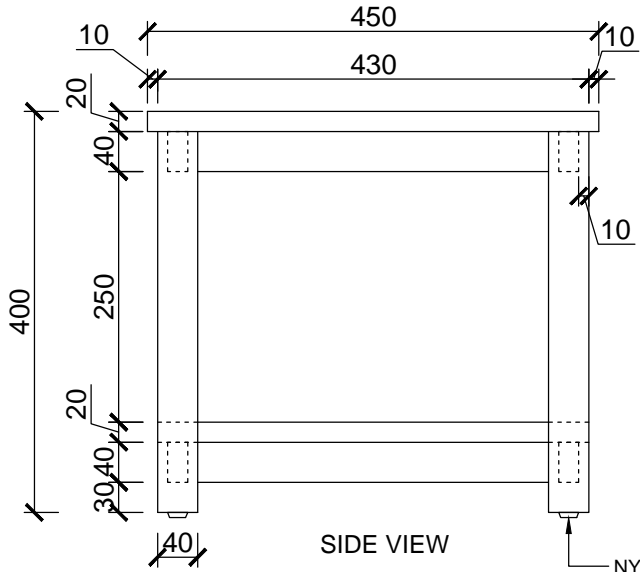


TOP VIEW

OLD ELM



FRONT VIEW



SIDE VIEW

NYLON GLIDES

UNLESS OTHERWISE SPECIFIED:
 DIMENSION STANDARD - MILLIMETERS
 SURFACE FINISH - RAW
 LINEAR TOLERANCE - ±.5mm
 ANGULAR TOLERANCE - ±1°

DRAWING INFORMATION IS CONFIDENTIAL.
 DO NOT REPRODUCE DRAWING INFORMATION
 UNLESS PERMITTED BY PRODUCT OWNER.
 REPORT ANY ERRORS IMMEDIATELY.

DO NOT SCALE

APPROVAL		REV	DESC	??/??/??	AP

DRAWING NAME 1083M-1-21 OLD ELM JUDD SIDE TABLE		
DATE CREATED 23/08/2019	REVISION ORIG	INFO@MCMHOUSE.COM

